



Magnetic Drive "Seal-less" Pump

Shini USA's Hot Oil Temperature Control Units combine efficiency & high quality in a compact, portable design.

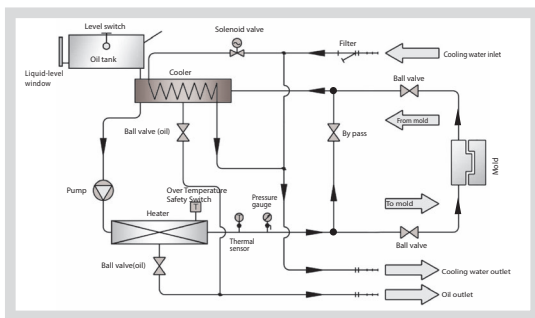
Shini USA STM series hot oil units, available with either a max operating temperature range of 375°F or 450°F, have multiple heater and pump combinations to provide the best performance for your application. The magnetic drive, seal-less pump comes standard with the high temperature models (maximum temperature range of 450°F) and is available as an option for the lower temperature range units.

All units are available in either 460 or 230 volt and include standard features such as: pressure relief valves, internal by-pass valve, automatic air vent, and over-temp safety alarms. Each unit is factory tested prior to shipping and includes a 1-year parts warranty.

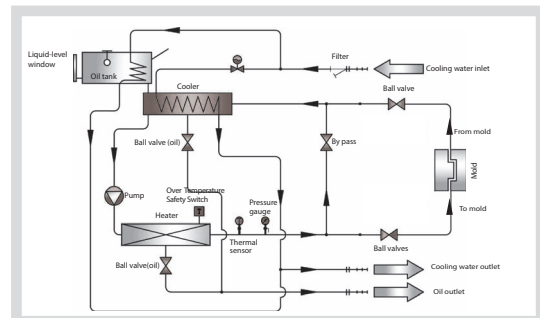
Design Benefits

- Compact and Portable
- Completely Insulated Heater
- Factory Set Pressure Relief Valve
- Self-Tuning Microprocessor Controller
- Y-Strainer on Pump Suction
- Heavy Duty Powder Coated Cabinet
- Low Pressure Switch
- Low Level Alarm/Pump Overload Alarm
- High and Low Side Liquid Filled Refrigerant Pressure Gauges

Working Principle

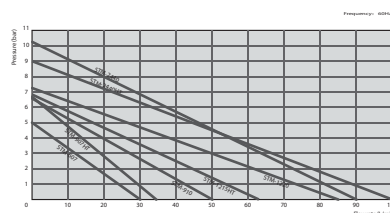


System flow for STM



System flow for STM-HT

Pump Performance



Specifications

Hot Oil Unit (392°F Max. Temp)				
Model	STM-607-O-LT	STM-910-O-LT	STM-1220-O-LT	STM-2440-O-LT
Heater (kw)	6	9	12	24
Pump (HP)	0.84	1.23	2.5	4.5
Max. Pump Flow	7.9 GPM @ 20 PSI	13.2 GPM @ 30 PSI	22 GPM @ 30 PSI	40 GPM @ 30 PSI
Heating Tank Capacity (GAL)	1.58	1.58	1.8	2.9
Cooling Method	Closed Loop Shell & Tube			
Voltage	230 or 460			
L x W x H (in)	28 x 13.8 x 35.4	28 x 13.8 x 35.4	29.7 x 12.6 x 35.4	35 x 16 x 39.7

Hot Oil Unit (392°F Max. Temp) with Magnetic Drive "Seal-less Pump"				
Model	N/A	STM-910-LT-M	STM-1220-LT-M	STM-2440-LT-M
Heater (kw)	N/A	9	12	24
Pump (HP)	N/A	1.23	2.5	4.5
Max. Pump Flow (GPM)	N/A	10 GPM @ 30 PSI	15 GPM @ 30 PSI	40 GPM @ 30 PSI
Heating Tank Capacity (GAL)	N/A	1.58	1.8	2.9
Cooling Method	Closed Loop Shell & Tube			
Voltage	230 or 460			
L x W x H (in)	N/A	28 x 13.8 x 35.4	29.7 x 12.6 x 35.4	35 x 16 x 39.7

High Temperature (550°F Max) Hot Oil Unit with Magnetic Drive "Seal-less Pump"				
Model	N/A	STM-907-O-HT	STM-1215-O-HT	STM-2440-O-HT
Heater (kw)	N/A	9	12	24
Pump (HP)	N/A	0.84	1.47	4.6
Max. Pump Flow	N/A	10 GPM @ 30 PSI	15 GPM @ 30 PSI	40 GPM @ 30 PSI
Heating Tank Capacity (GAL)	N/A	1.58	1.8	2.9
Cooling Method	Closed Loop Shell & Tube			
Voltage	230 or 460			
L x W x H (in)	N/A	27 x 10 x 29	31 x 13 x 32	39.4 x 20 x 35.8

Other Plastics Auxiliary Equipment from Shini USA



Top Feed Granulators



Desiccant Dryers



Material Loaders



Chillers



Hot Air Hopper Dryer