

# Vacuum Hopper Loaders SAL-U Series



SAL-U



SAL-U-E

Shini USA SAL-U Series Vacuum Loaders are trouble free, high quality stainless steel bodied units with user-friendly controls.

The hinged lid/motor cover allows easy filter access for quick maintenance and cleaning. The remote pendant controller with easy to read display and adjustable program settings makes these versatile hopper loaders suitable for almost any pellet/material-handling application.

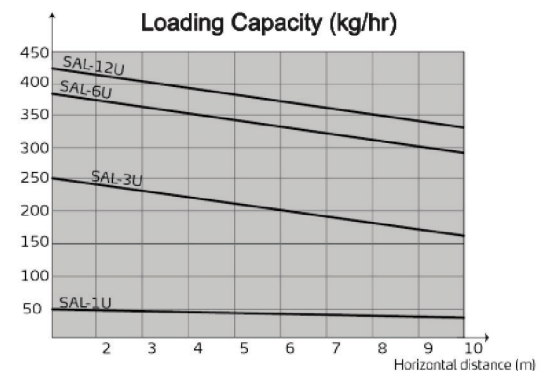
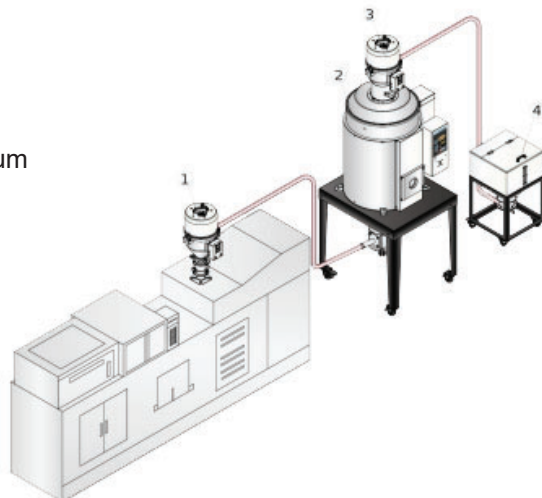
Each loader comes complete with (1) 10' hose, (2) adjustable clamps, and (1) stainless steel pick-up wand.

## Design Details

- Replaceable carbon brush type motor
- Stainless steel hopper
- Quick release hinged lid for easy motor/filter access
- View port on discharge
- Reverse stopper flap
- Automatic filter cleaning
- 110V
- 1 1/2" ID Inlet
- Brush fault indicator
- Soundproof motor cover reduces noise
- Pushbutton control
- Easy to read display
- Removable remote-control pendant for hand-held operation
- Pendant also controls optional proportional valve
- Hose and wand included

## Application

1. Sight Glass Vacuum Hopper Loader
2. Hopper Dryer
3. Vacuum Hopper
4. Material Bin



## Specifications

| Model                             | SAL-1U           | SAL-1UE<br>(Sight Glass)            | SAL-3U           | SAL-3UE<br>(Sight Glass)            | SAL-6U           | SAL-6UE<br>(Sight Glass)            | SAL-12U          | SAL-12UE<br>(Sight Glass)           |
|-----------------------------------|------------------|-------------------------------------|------------------|-------------------------------------|------------------|-------------------------------------|------------------|-------------------------------------|
| Motor Type                        | Carbon Brush     |                                     |                  |                                     |                  |                                     |                  |                                     |
| Hopper Capacity (liter)           | 1                | 1                                   | 3                | 3                                   | 6                | 6                                   | 12               | 12                                  |
| Conveying Capacity (lbs. hr)      | 66               | 66                                  | 440              | 440                                 | 660              | 660                                 | 880              | 880                                 |
| Level Switch                      | Proximity Sensor | Glass Tube Hopper with Photo Sensor | Proximity Sensor | Glass Tube Hopper with Photo Sensor | Proximity Sensor | Glass Tube Hopper with Photo Sensor | Proximity Sensor | Glass Tube Hopper with Photo Sensor |
| Conveying Hose Internal Dia. (in) | 1.5              |                                     |                  |                                     |                  |                                     |                  |                                     |
| Input Voltage                     | 110/1            |                                     |                  |                                     |                  |                                     |                  |                                     |
| Height (in)                       | 20               | 25                                  | 22               | 28                                  | 25               | 31                                  | 29               | 36.8                                |
| Width (in)                        | 11               | 11                                  | 12               | 12                                  | 14               | 13.4                                | 14               | 13.4                                |
| Depth (in)                        | 13               | 13                                  | 15               | 15                                  | 16               | 16.1                                | 16               | 16.1                                |
| Weight (lbs.)                     | 22               | 25                                  | 24               | 27                                  | 27               | 35.3                                | 30               | 39.7                                |

## Proportional Valves

- Easily mounted on material tube
- Single DIN cable connects to SAL-U
- Additional control is not required when used with SAL-U
- Rugged design
- Easily installed, operated and maintained
- Recycling of material reduces production costs

| Model                                         | SPV-38U    | SPV-50U | SPV-38UC | SPV-50UC |
|-----------------------------------------------|------------|---------|----------|----------|
| Maximum Material Flow Capacity (lbs per hour) | 770        | 1200    | 770      | 1200     |
| Pipe Size                                     | 1.5        | 2       | 1.5      | 2        |
| Compressed Air Pressure – PSI                 | 40         |         |          |          |
| L x W x H (in)                                | 6 x 10 x 9 |         |          |          |
| Weight (lbs)                                  | 8          | 8       | 10       | 10       |



## Other Plastics Auxiliary Equipment from Shini USA



Front Feed Granulators



Hot Air Dryers



Desiccant Dryers



Blenders



Conveyors



Top Feed Granulators



Temperature Control Units



Chillers



Feeders