



Shini USA energy efficient Hot Air hopper dryers remove surface moisture from non-hygroscopic plastic pellets.

Highly versatile and easy to use, the SEHD Series Hot Air Hopper Dryer can be mounted directly to the feed throat of a machine or to a portable floor stand with casters.

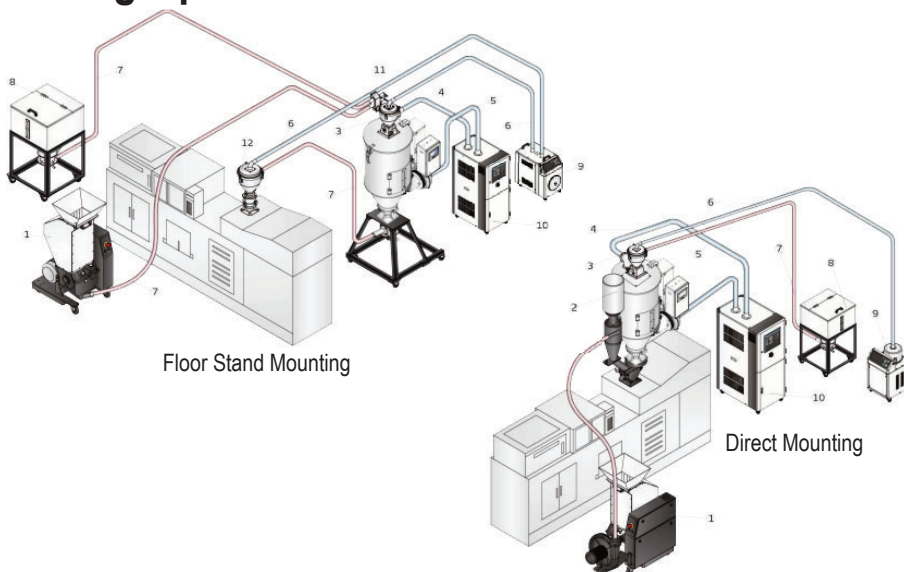
Each unit features a 7-Day Automatic Timer, Overheat Protection, PID Microprocessor Control & Mounting Base with Slide Gate.

All units are factory tested prior to shipping and include a 1-year parts warranty.

## Features

- P.I.D. Microprocessor Control features accurate temperature control, digital display and auto start/stop functions
- Overheat Protection
- Stainless Steel Construction for all Material Contact Surfaces
- 7-Day Automatic Timer
- Removable Hopper Base

## Mounting Options



1. Front Feed Granulator
2. Instant Recycler
3. Hot Air Hopper Dryer
4. Return Air
5. Dehumidifying Air
6. Vacuum Pipe
7. Material Pipe
8. Material Tank
9. Auto Loader
10. Honeycomb Dehumidifier
11. Proportional Valve
12. Photosensor Hopper

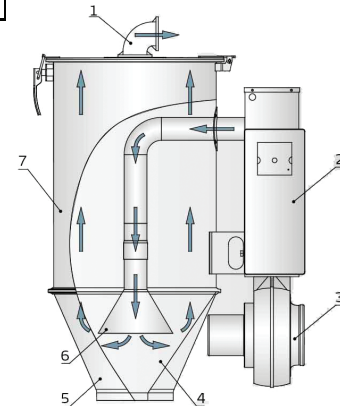
## Specifications

MODEL	Hopper Capacity (Cubic Feet)	Hopper Capacity Based on Material Weighing 35 lbs/cu. Ft	Heater (kw)	blower (H.P)	Dimensions (in)	Weight (lbs)
SEHD-12	0.42	14.7	2.2	0.1	34 x 26 x 14	80
SEHD-25	0.88	30.8	3	0.2	40 x 29 x 16	90
SEHD-50	1.76	61.6	4	0.2	45 x 33 x 19	100
SEHD-75	2.64	92.4	4	0.2	49 x 36 x 22	125
SEHD-100	3.53	123.5	6	0.3	53 x 38 x 24	155
SEHD-150	5.29	185.1	6	0.3	62 x 38 x 24	165
SEHD-200	7.06	247	12	0.5	62 x 49 x 30	220
SEHD-300	10.59	370.6	15	0.5	78 x 49 x 30	265
SEHD-400	14.12	494.2	18	1	83 x 54 x 36	370
SEHD-500	17.65	619.7	19.5	1	90 x 54 x 37	375
SEHD-600	21.18	741.3	21	1	100 x 54 x 37	530
SEHD-800	28.25	988.7	24	1	106 x 56 x 24	620
SEHD-1000	35.31	1,235	32	2	118 x 56 x 24	670

## Floor Stand

MODEL	Applicable Model	Dimensions ( W x L x H)"
FSN-50	SHD-12 thru 75	27.5 x 25 x 24
FSN-100	SHD-100 & 150	31.5 x 28 x 24
FSN-200	SHD-200 & 300	47 x 40 x 24
FSN-400	SHD-400 thru 600	59 x 47 x 27
FSN-800	SHD-800 & 1000	51 x 51 x 27

1. Air Exhaust Pipe
2. Control Box
3. Blower
4. Inner Hopper
5. Outer Hopper
6. Down Blowing Air Pipe
7. Hopper



## Other Plastics Auxiliary Equipment from Shini USA



Front Feed Granulators



Venturi Loader



Desiccant Dryers



Blenders



Conveyors



Top Feed Granulators



Temperature Control Units



Material Loaders



Chillers



Feeders