



Magnetic Drive "Seal-less" Pump

Shini USA's Hot Oil Temperature Control Units combine efficiency & high quality in a compact, portable design.

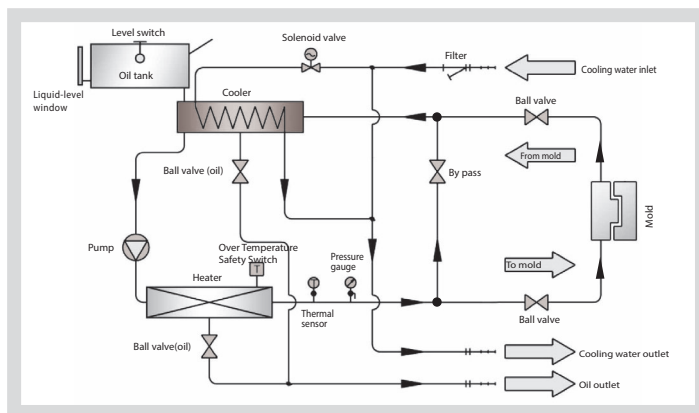
Shini USA STM series hot oil units, available with either a max operating temperature range of 375°F or 450°F, have multiple heater and pump combinations to provide the best performance for your application. The magnetic drive, seal-less pump comes standard with the high temperature models (maximum temperature range of 450°F) and is available as an option for the lower temperature range units.

All units are available in either 460 or 230 volt and include standard features such as: pressure relief valves, internal by-pass valve, automatic air vent, and over-temp safety alarms. Each unit is factory tested prior to shipping and includes a 1-year parts warranty.

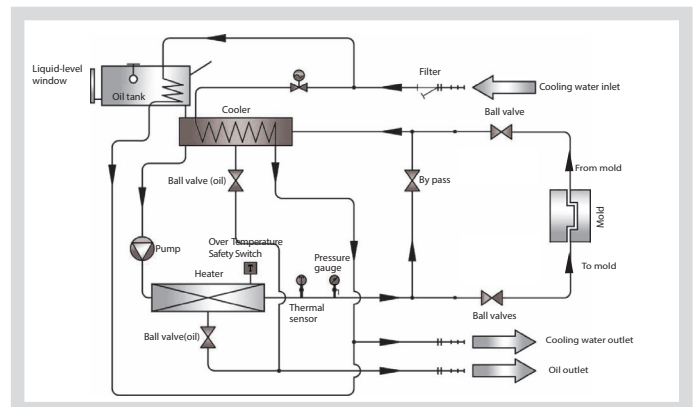
## Design Benefits

- Compact and Portable
- Completely Insulated Heater
- Factory Set Pressure Relief Valve
- Self-Tuning Microprocessor Controller
- Y-Strainer on Pump Suction
- Heavy Duty Powder Coated Cabinet
- Low Pressure Switch
- Low Level Alarm/Pump Overload Alarm
- High and Low Side Liquid Filled Refrigerant Pressure Gauges

## Working Principle



System flow for STM



System flow for STM-HT

## Specifications

Hot Oil Unit (375°F Max. Temp)			
Model	STM-910-O-LT	STM-1220-O-LT	STM-2440-O-LT
Heater (kw)	9	12	24
Pump (HP)	1.23	2.5	4.5
Max. Pump Flow	13.2 GPM @ 30 PSI	22 GPM @ 30 PSI	23.7 GPM @ 30 PSI
Heating Tank Capacity (GAL)	1.58	1.8	2.9
Cooling Method	Closed Loop Shell & Tube		
Voltage	230 or 460		
L x W x H (in)	28 x 13.8 x 35.4	29.7 x 12.6 x 35.4	35 x 16 x 39.7
Hot Oil Unit (375°F Max. Temp) with Magnetic Drive "Seal-less Pump"			
Model	STM-910-LT-M	STM-1220-LT-M	STM-2440-LT-M
Heater (kw)	9	12	24
Pump (HP)	1.23	2.5	4.5
Max. Pump Flow (GPM)	10 GPM @ 30 PSI	22 GPM @ 30 PSI	23.7 GPM @ 30 PSI
Heating Tank Capacity (GAL)	1.58	1.8	2.9
Cooling Method	Closed Loop Shell & Tube		
Voltage	230 or 460		
L x W x H (in)	28 x 13.8 x 35.4	29.7 x 12.6 x 35.4	35 x 16 x 39.7
High Temperature (450°F Max) Hot Oil Unit with Magnetic Drive "Seal-less Pump"			
Model	STM-907-HT	STM-1215-HT	
Heater (kw)	9	12	
Pump (HP)	0.84	1.47	
Max. Pump Flow	9 GPM @ 30 PSI	16 GPM @ 30 PSI	
Heating Tank Capacity (GAL)	1.58	1.8	
Cooling Method	Closed Loop Shell & Tube		
Voltage	230 or 460		
L x W x H (in)	27 x 10 x 29	31 x 13 x 32	

## Other Plastics Auxiliary Equipment from Shini USA



Front Feed Granulators



Hot Air Dryers



Desiccant Dryers



Blenders



Conveyors



Top Feed Granulators



Feeders



Material Loaders



Chillers



Hot Air Hopper Dryer